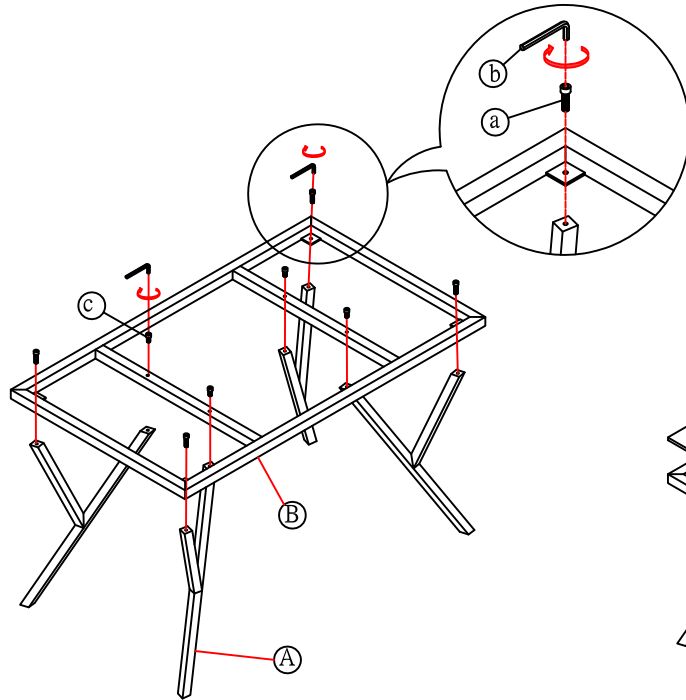
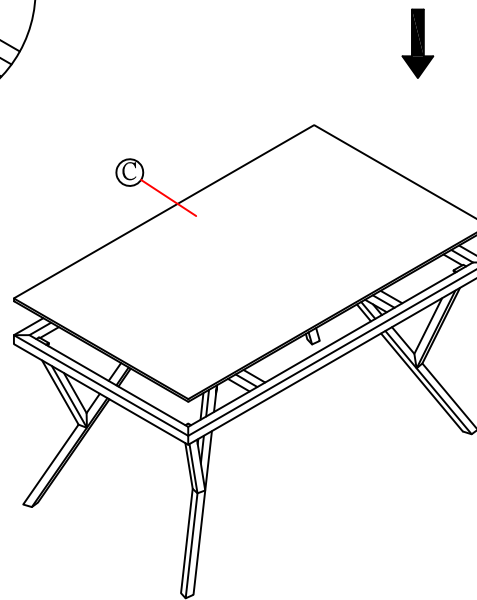




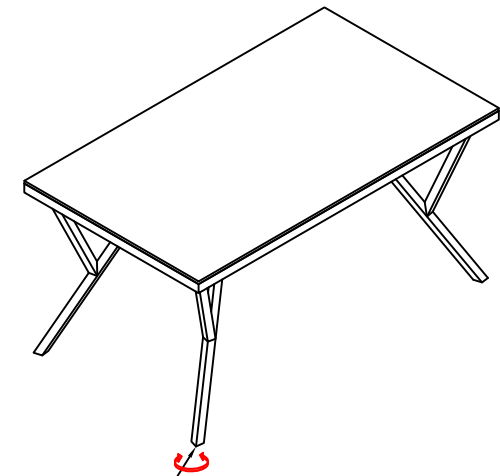
Step 1



Step 2






FINISH






ADJUST THE GLIDES IF NEEDED

PARTS LIST:

NO	DESCRIPTION	SKETCH	QTY
A	LEG		4PCS
B	FRAME		1PC
C	GLASS TOP		1PC

HARDWARE LIST:

NO	DESCRIPTION	SKETCH	QTY
a	SMALL SCREW		4PCS
b	ALLEN KEY		1PC
c	LARGE SCREW		4PCS